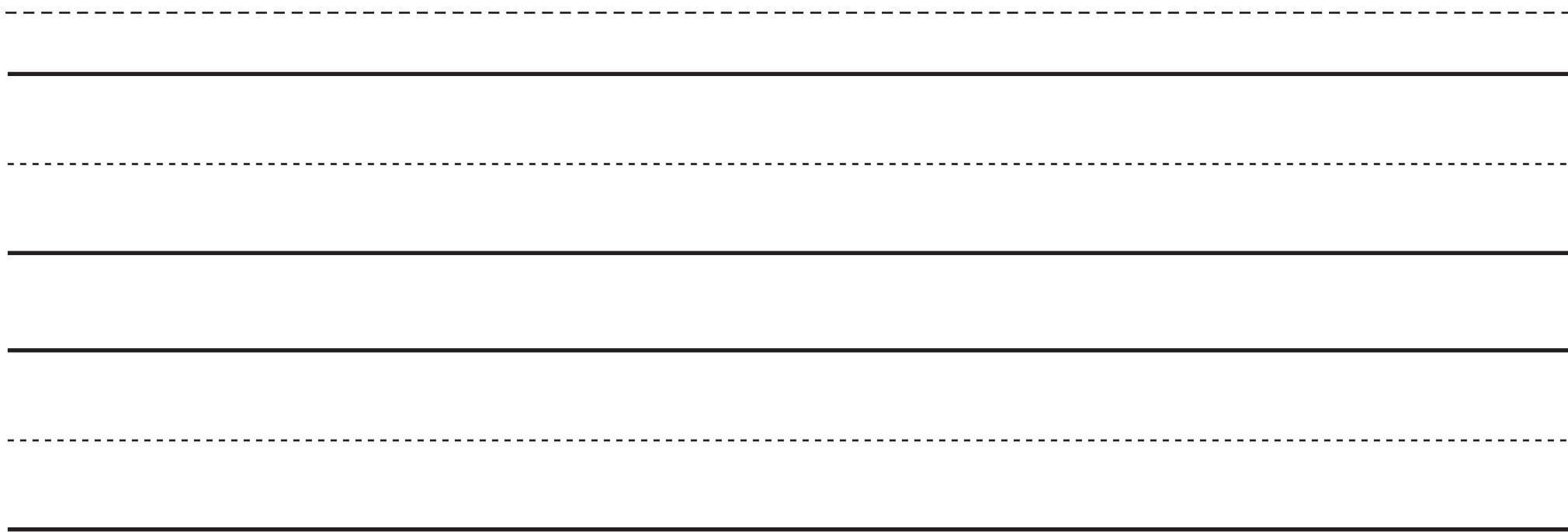
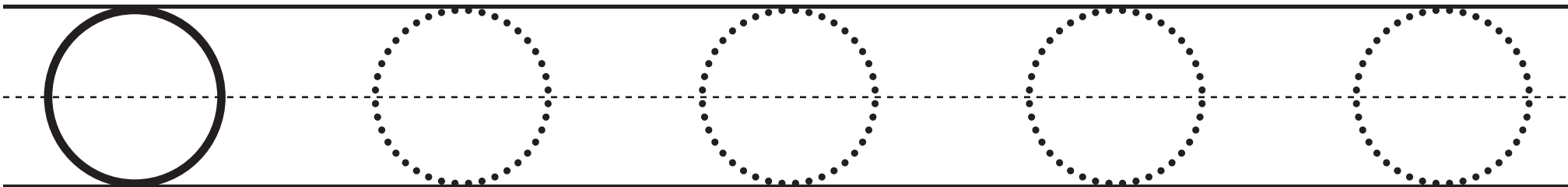
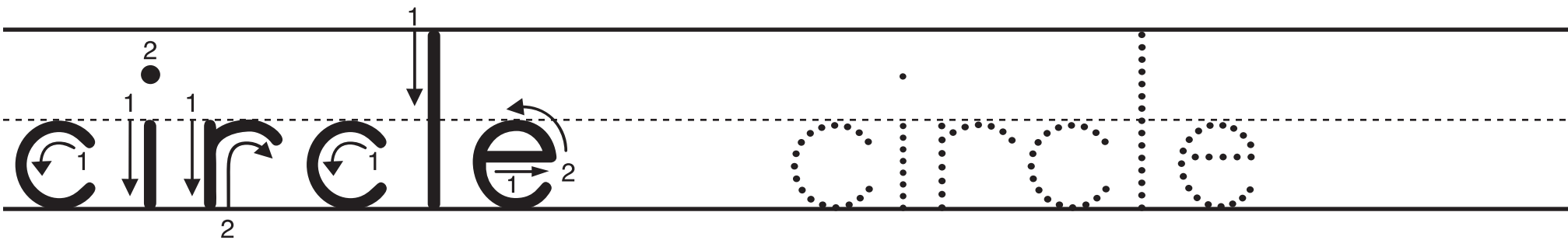


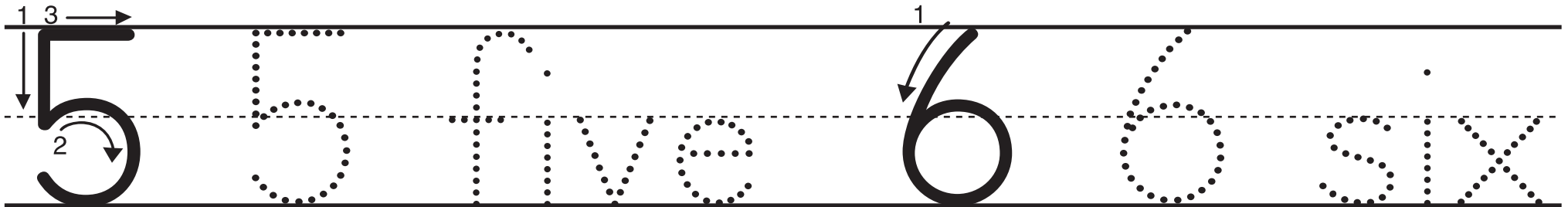
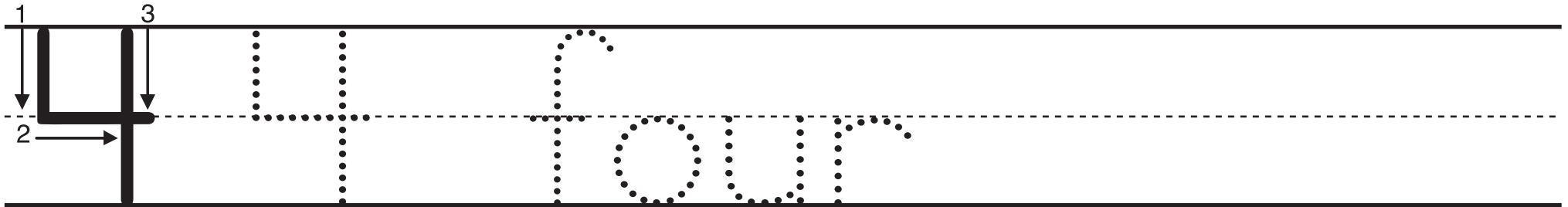
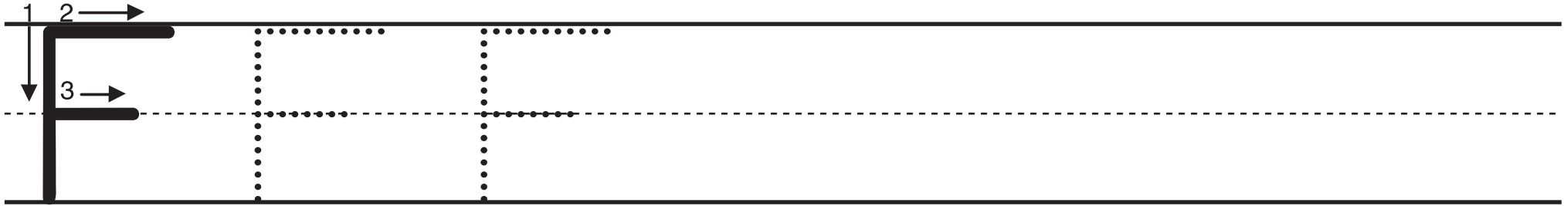
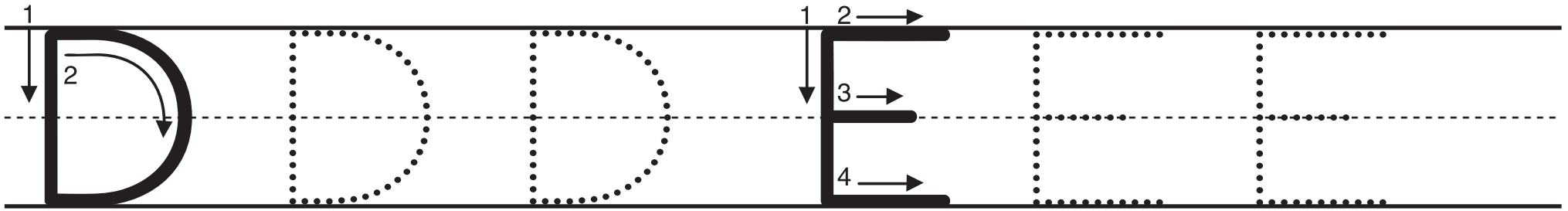
Handwriting practice row for the word "cat". It features a solid lowercase 'a' with stroke order arrows (1: counter-clockwise circle, 2: downward vertical line, 2: rightward horizontal line), followed by a dotted 'a' for tracing. Next is a solid lowercase 't' with stroke order arrows (1: downward vertical line, 2: rightward horizontal line), followed by a dotted 't' for tracing. An illustration of a beanie hat is placed between the dotted 't' and the dotted 'c'. The word "cat" is written in dotted lines for tracing. To the right is an illustration of a cat.

Handwriting practice row for the words "rat" and "bat". It features a dotted "rat" for tracing, followed by an illustration of a mouse, and a dotted "bat" for tracing, followed by an illustration of a baseball bat.

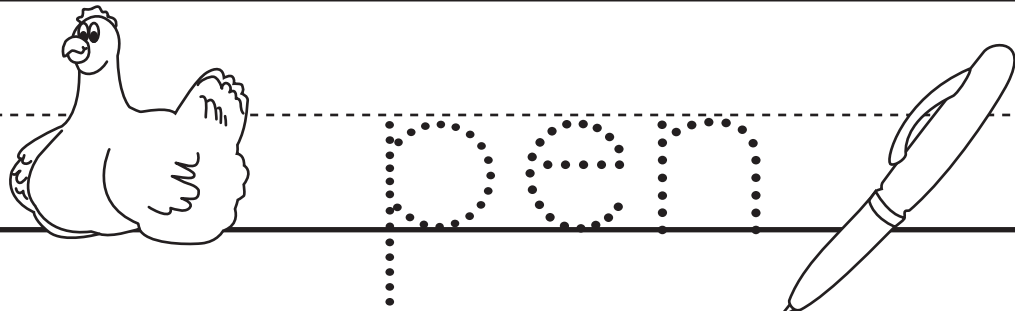
Handwriting practice row for the word "am". It features a solid lowercase 'a' with stroke order arrows (1: counter-clockwise circle, 2: downward vertical line), followed by a solid lowercase 'm' with stroke order arrows (2: downward vertical line, 2: first hump, 3: second hump), followed by two dotted "am" pairs for tracing.

Handwriting practice row for the word "and". It features a solid lowercase 'a' with stroke order arrows (1: counter-clockwise circle, 2: downward vertical line), followed by a solid lowercase 'n' with stroke order arrows (2: downward vertical line, 1: hump), followed by a solid lowercase 'd' with stroke order arrows (1: counter-clockwise circle, 2: downward vertical line), followed by two dotted "and" words for tracing.



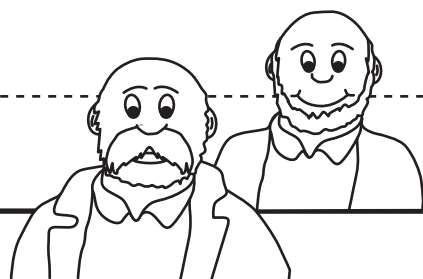


e n hen pen




This row shows the letters 'e' and 'n' with stroke order arrows and numbers. It is followed by the words 'hen' and 'pen' in dotted lines for tracing. To the right are illustrations of a hen and a pen.

ten 10 men



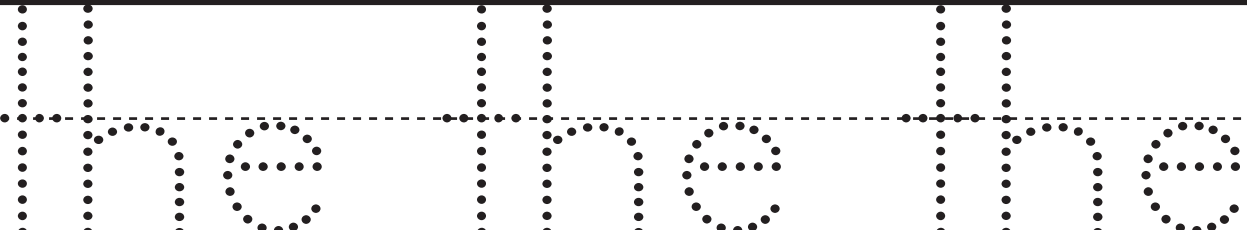
This row features the word 'ten' in dotted lines, the number '10' in a large outline, and the word 'men' in dotted lines. To the right are illustrations of two men.

s ee see

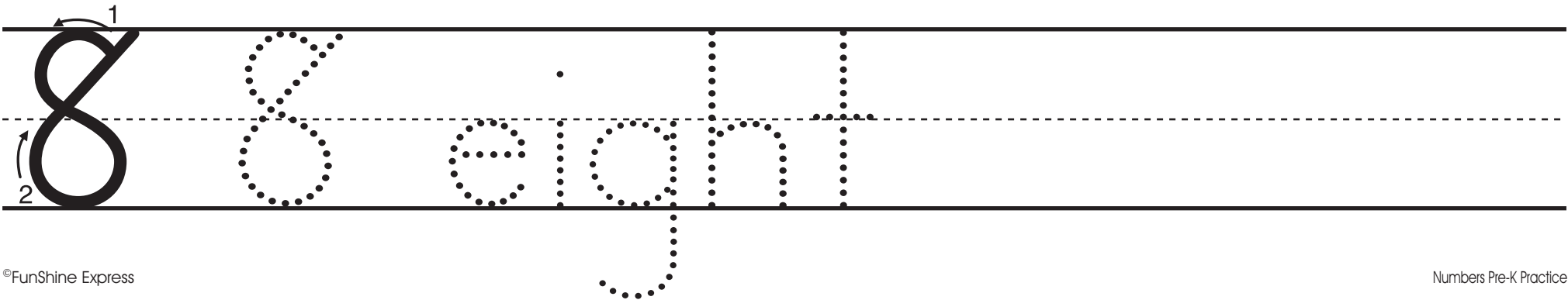
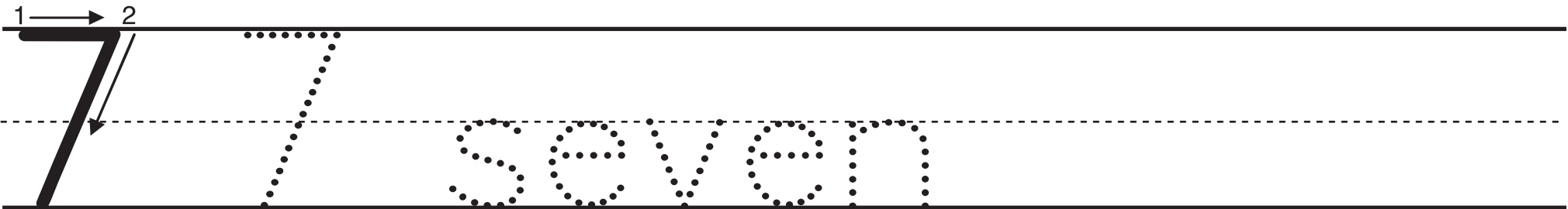
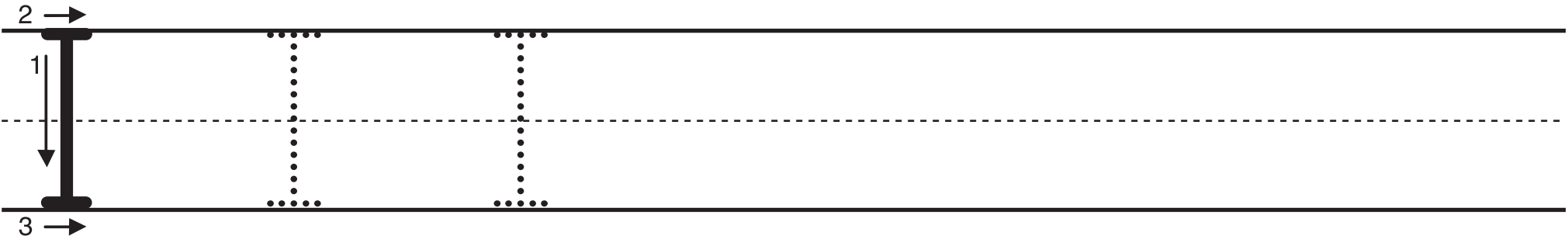
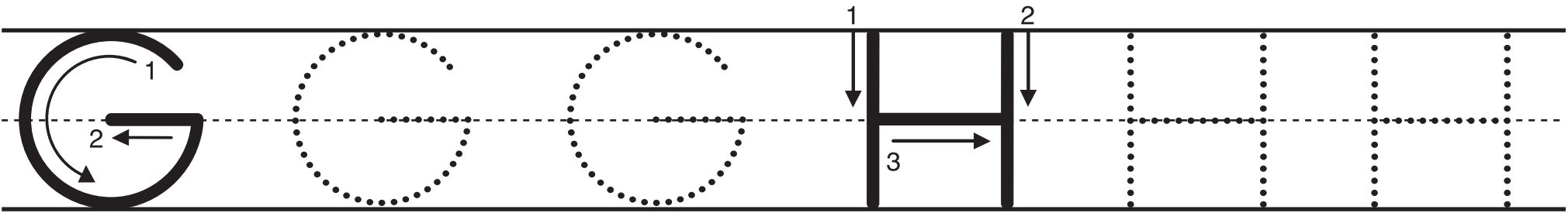


This row shows the letter 's' with stroke order arrows and numbers, followed by the word 'see' written twice in dotted lines for tracing.

the the the

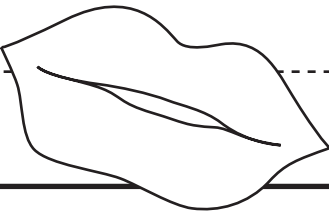


This row shows the letters 't', 'h', and 'e' with stroke order arrows and numbers, followed by the word 'the' written three times in dotted lines for tracing.

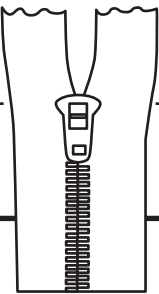


2
1 1 2

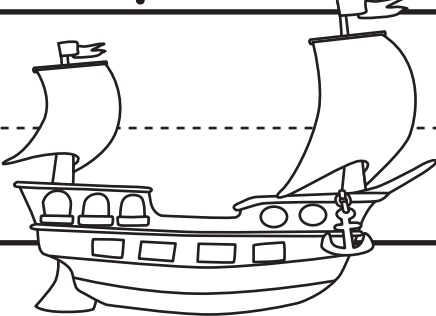
lip



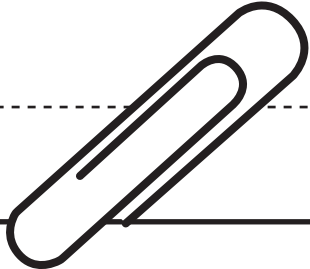
zip



ship



clip



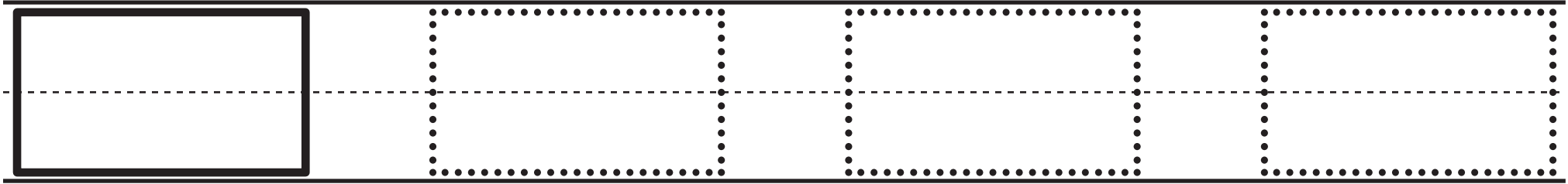
2 1 1

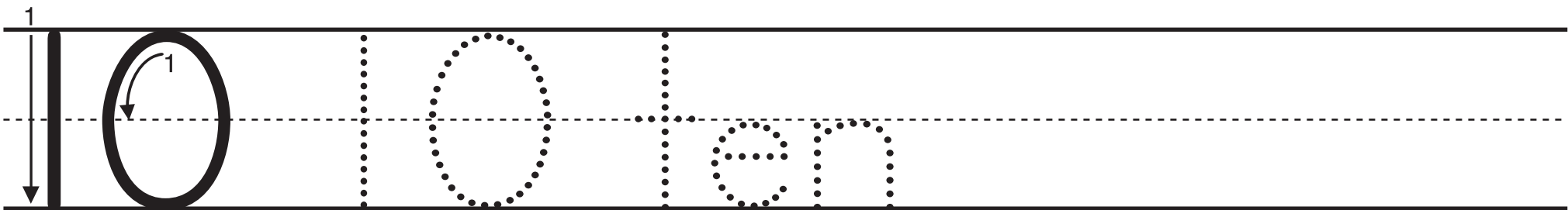
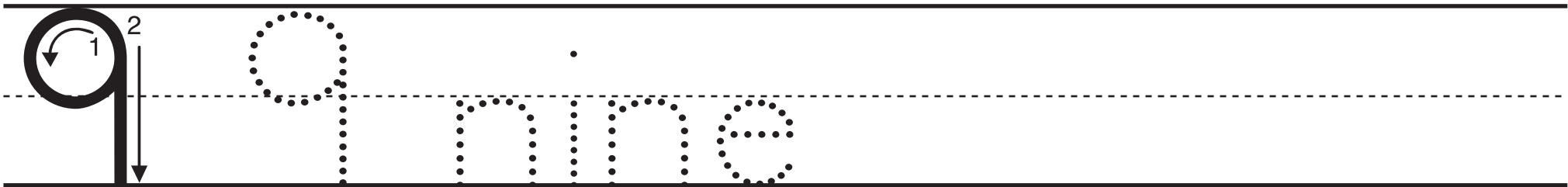
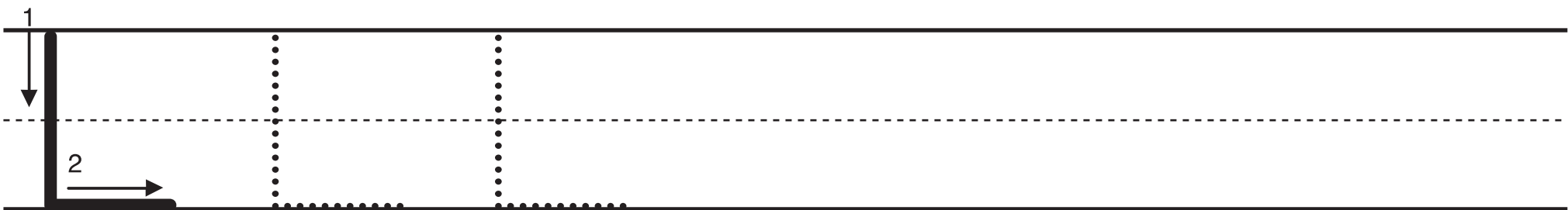
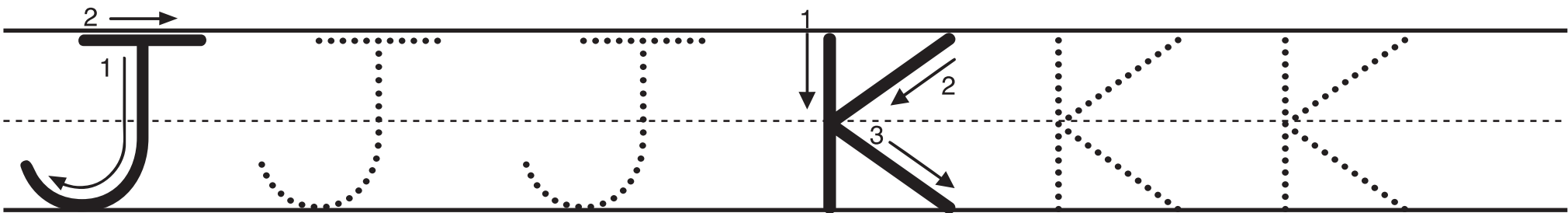
go go go go

2 1 2 1

big big big

rectangle





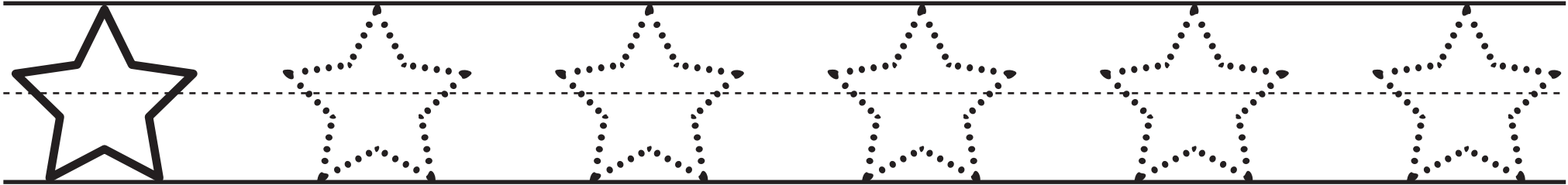
Handwriting practice row for the word "shed". It includes stroke order diagrams for the letters 'e' and 'd', a dotted "shed" for tracing, a line drawing of a shed, another dotted "shed", and a drawing of a red crayon.

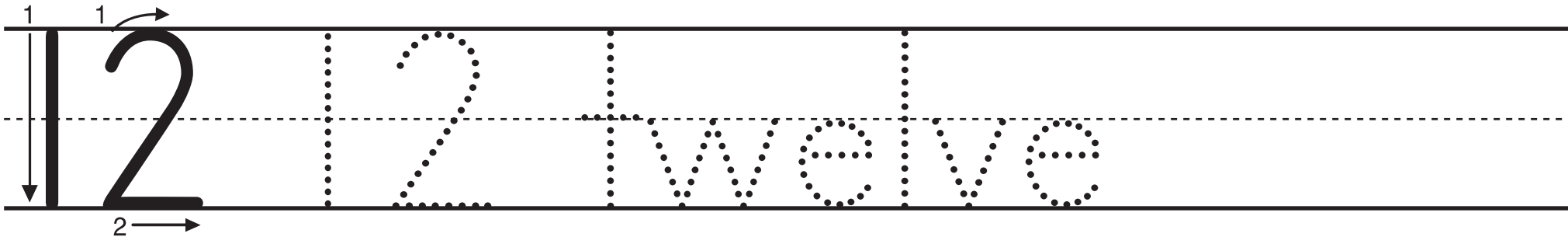
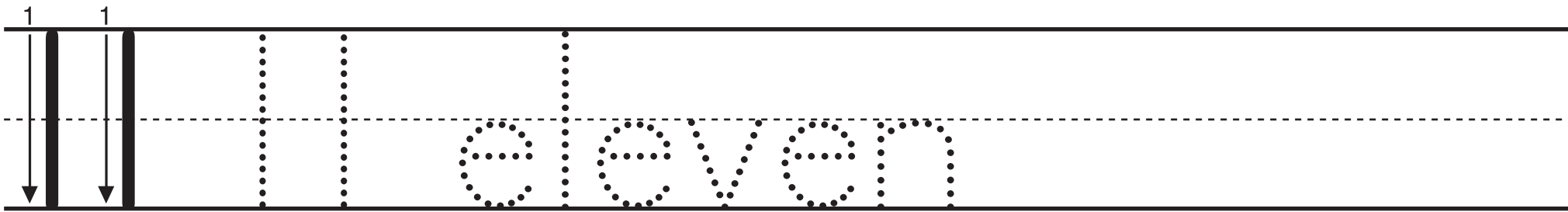
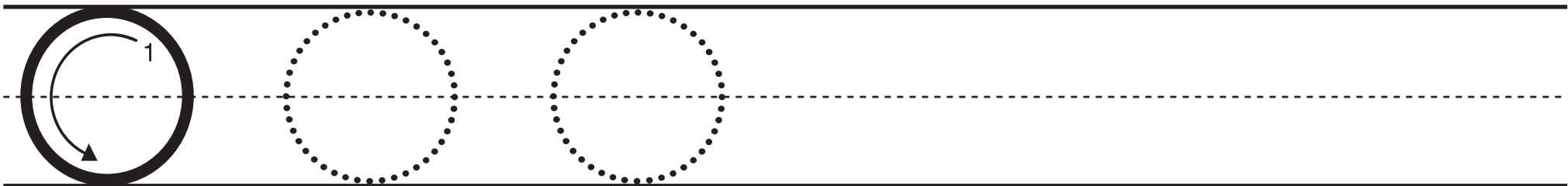
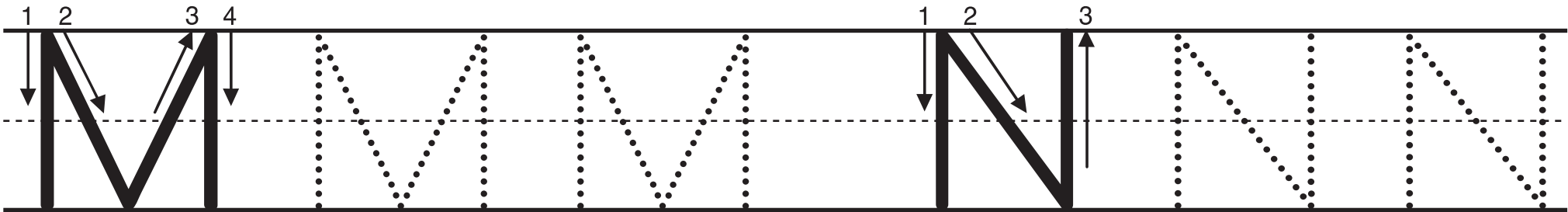
Handwriting practice row for the word "sled". It includes a dotted "sled" for tracing, a line drawing of a sled, another dotted "sled", and a drawing of a sled.

Handwriting practice row for the word "do". It includes stroke order diagrams for the letters 'd' and 'o', followed by five dotted "do" words for tracing.


Handwriting practice row for the word "let". It includes stroke order diagrams for the letters 'l', 'e', and 't', followed by three dotted "let" words for tracing.

star star star

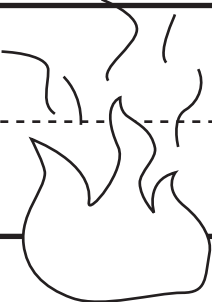





1
2



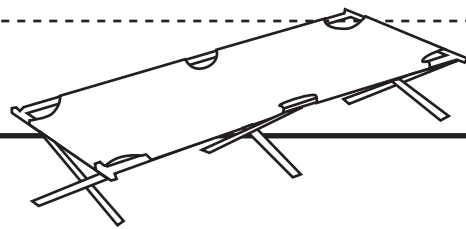
o o o



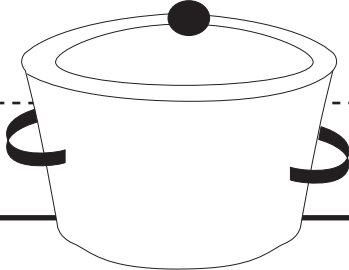
o o o



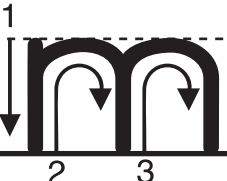
o o o



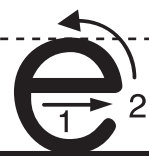
o o o



1
2 3

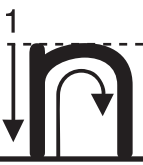


1 2




m e m e m e


1
2



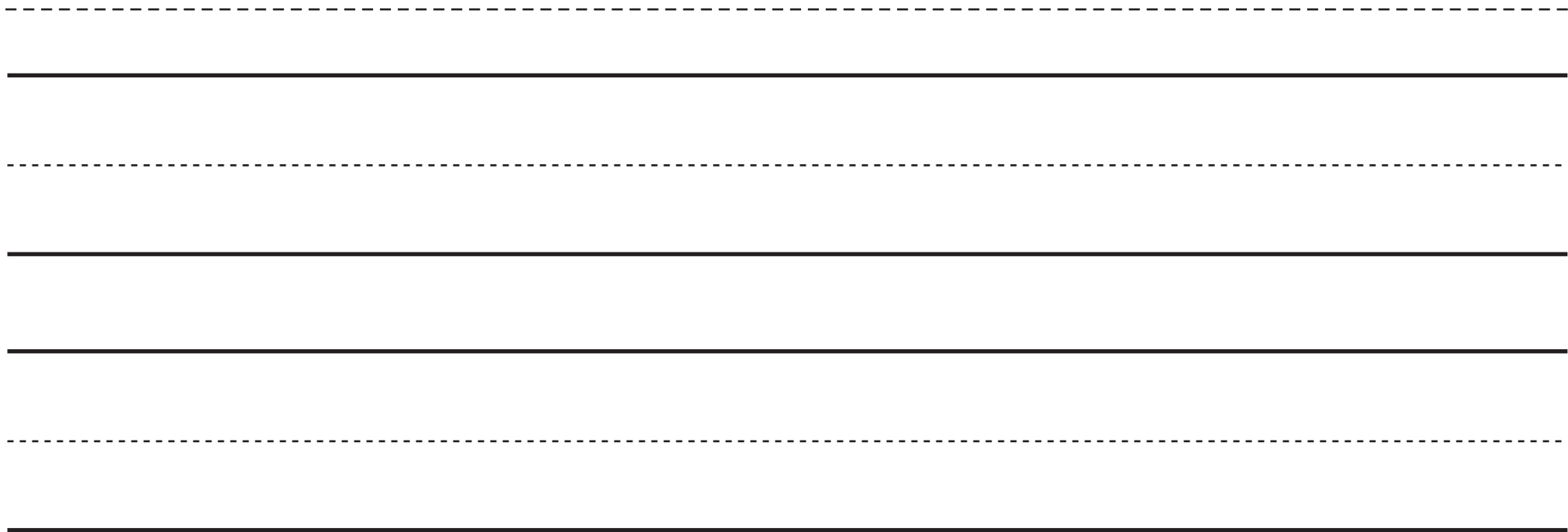
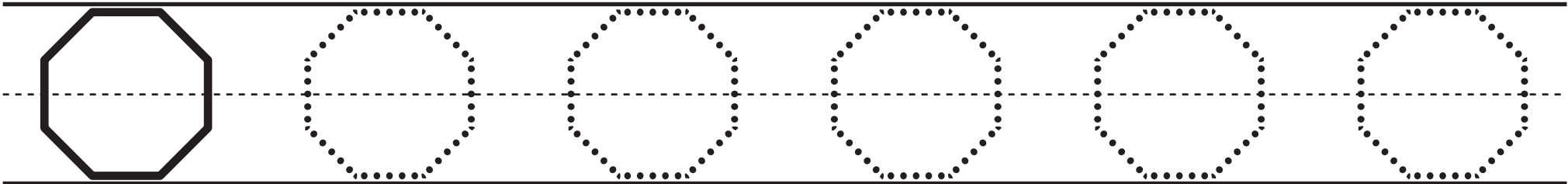
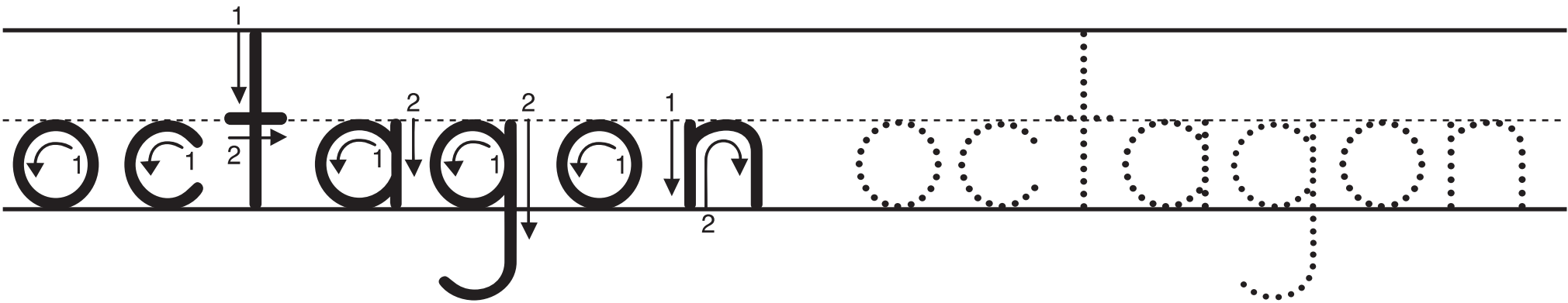
1

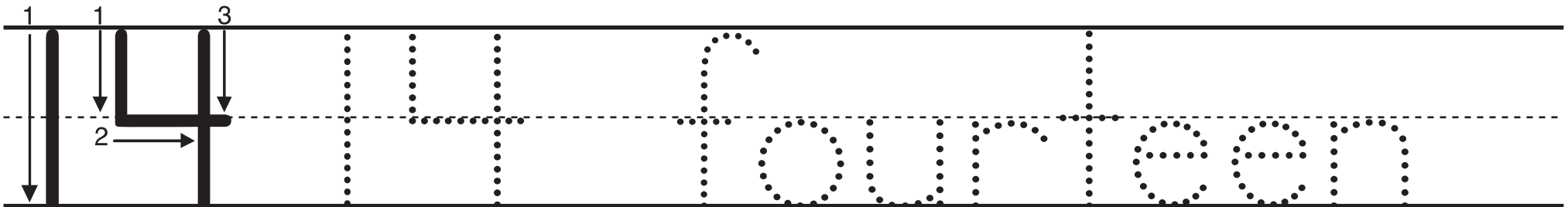
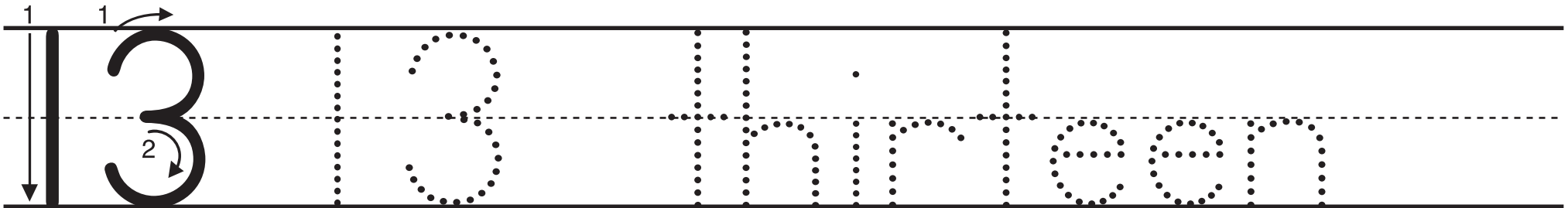
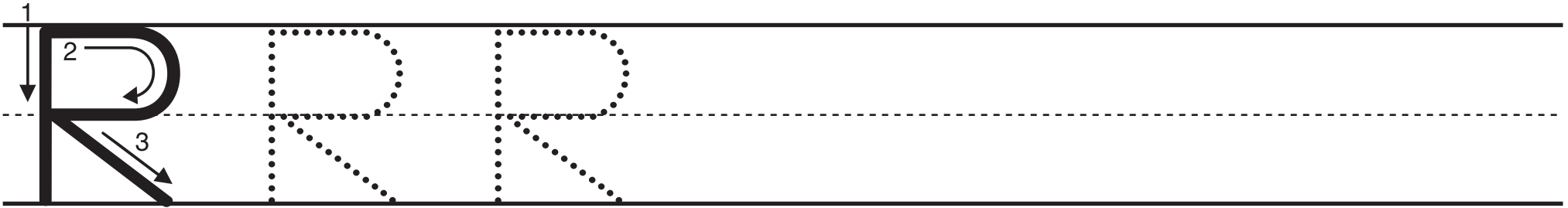
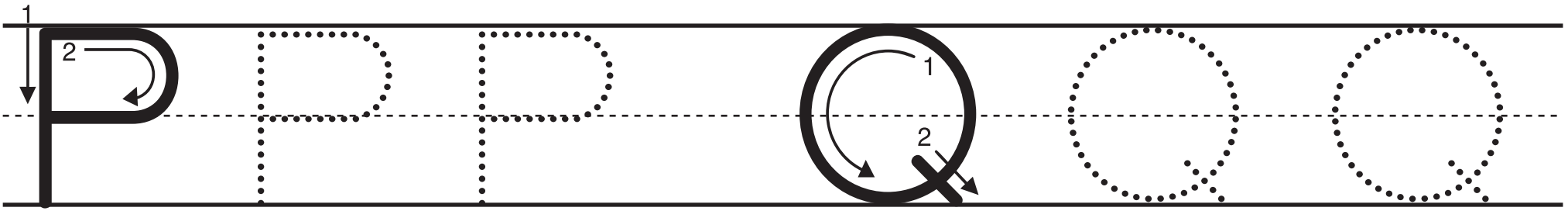


2

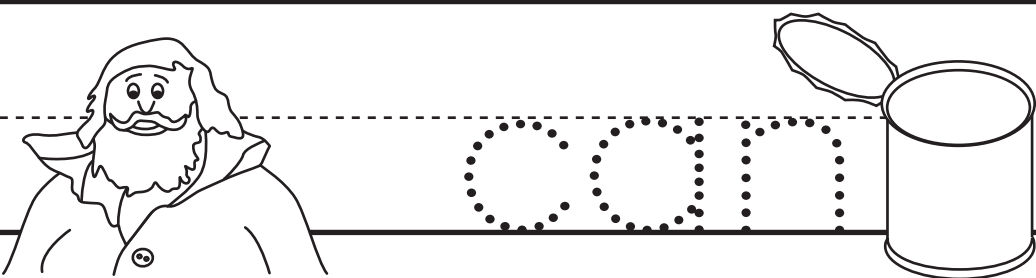


n o t n o t n o t

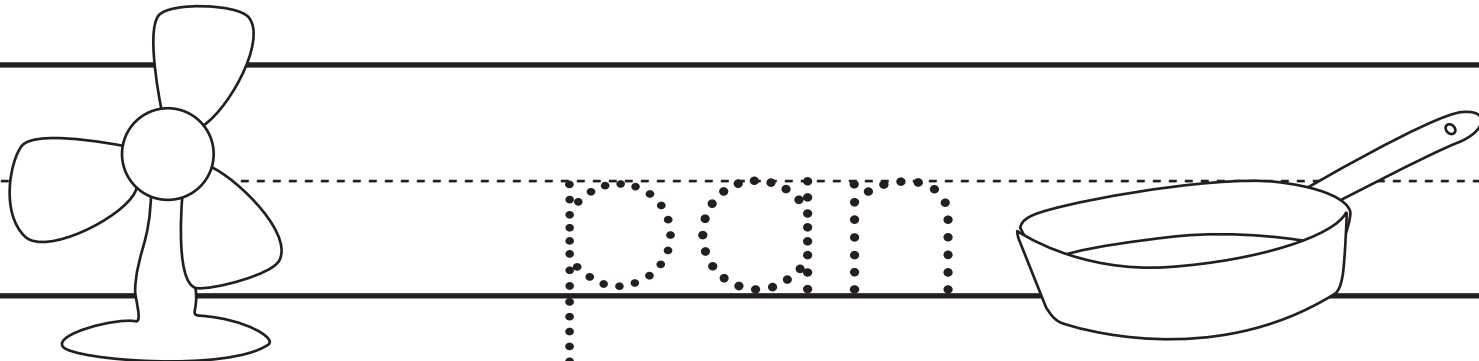




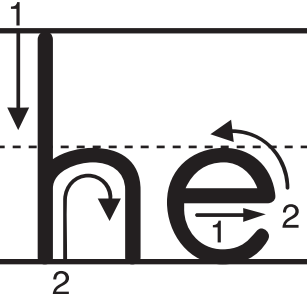
an man can



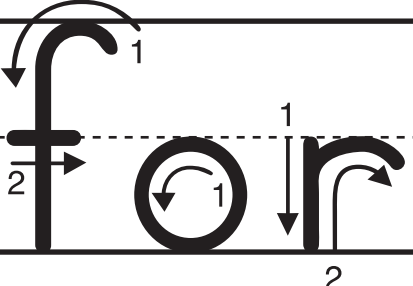
fan pan

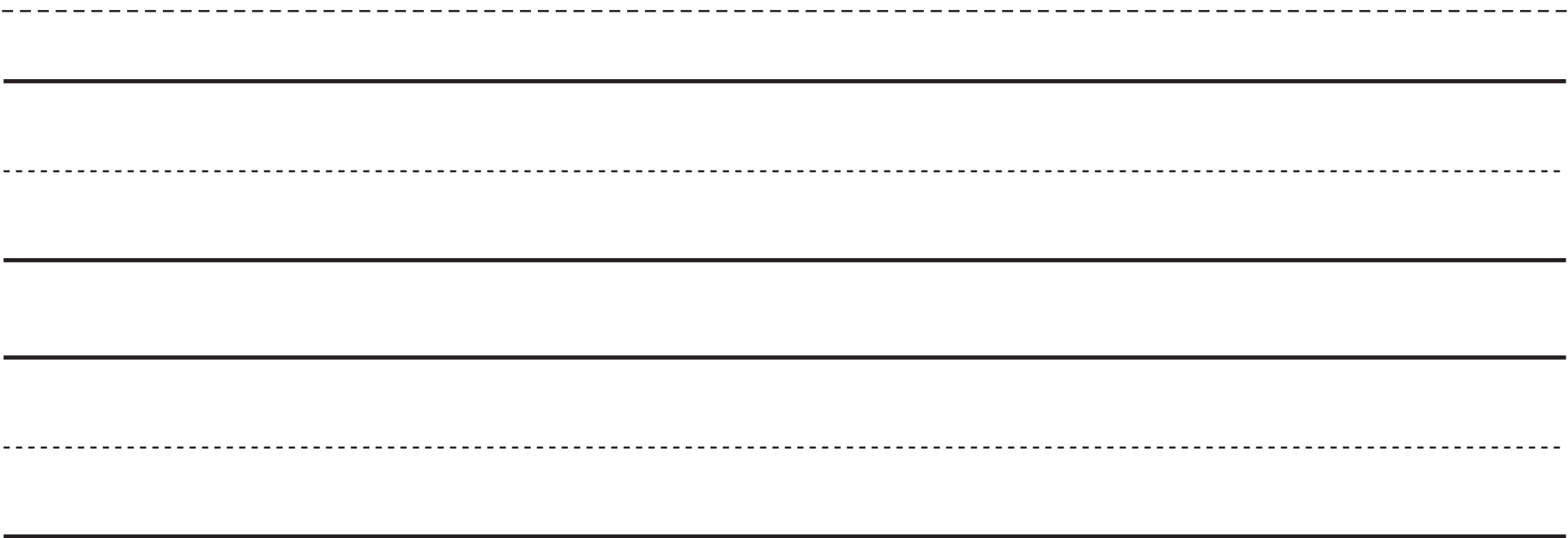
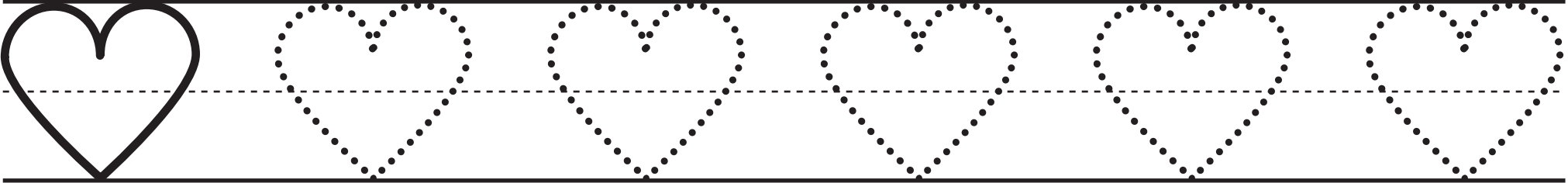
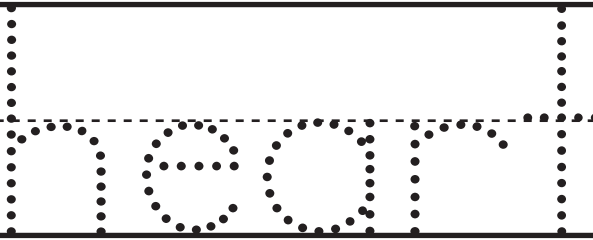
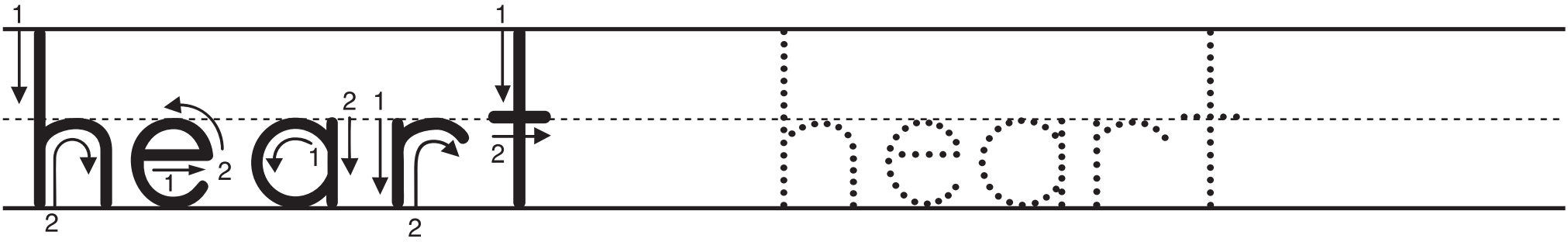


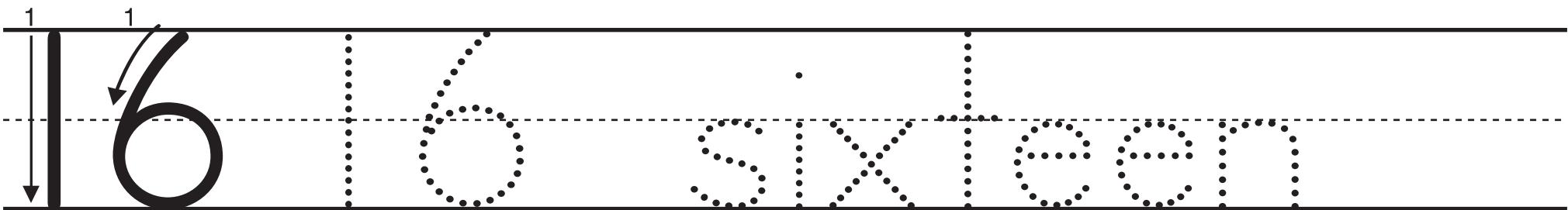
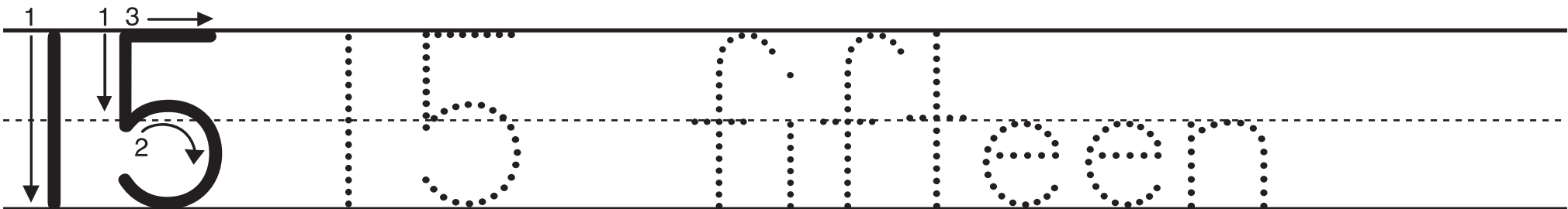
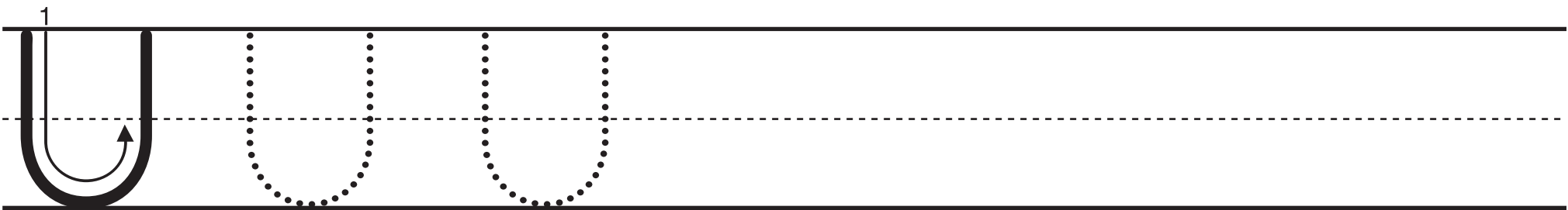
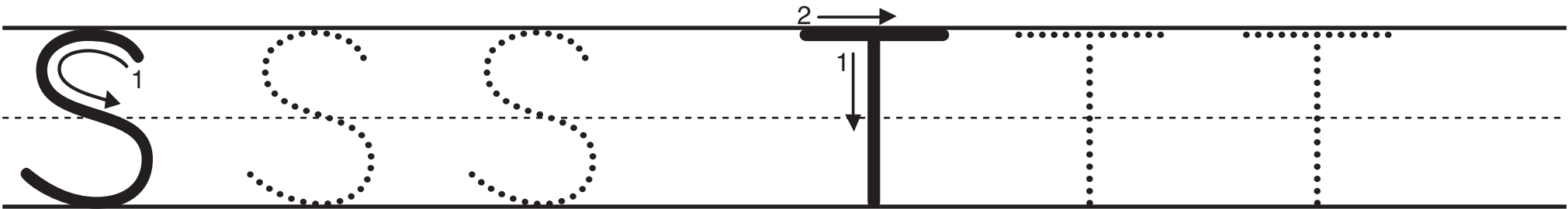
he he he he

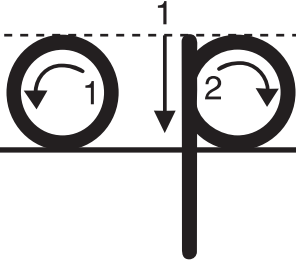

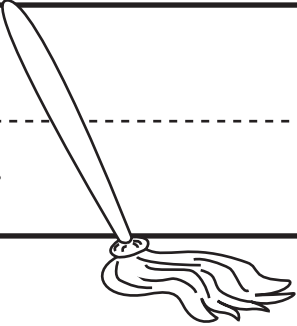

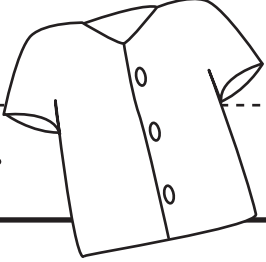



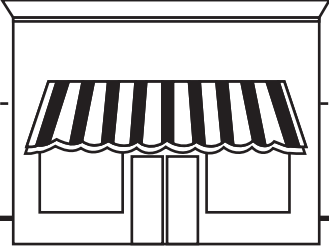

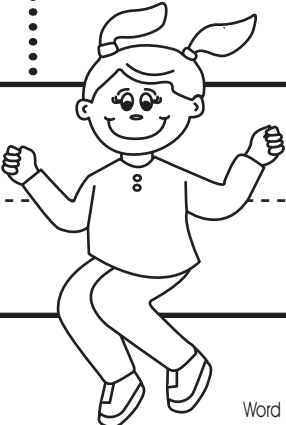
for for for



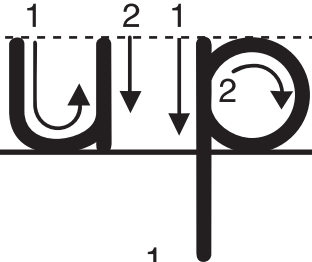






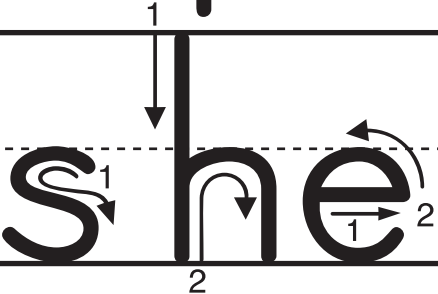





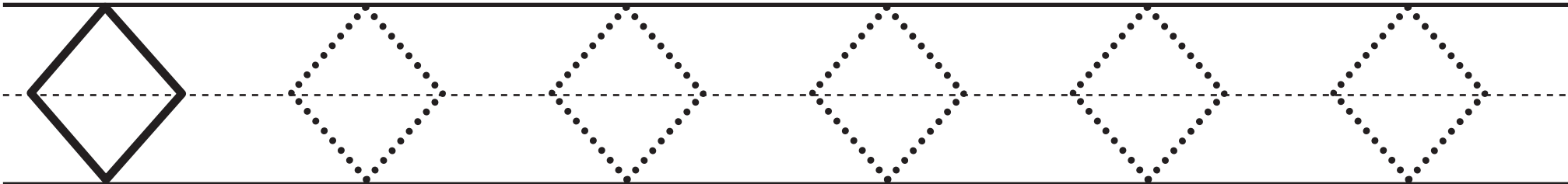
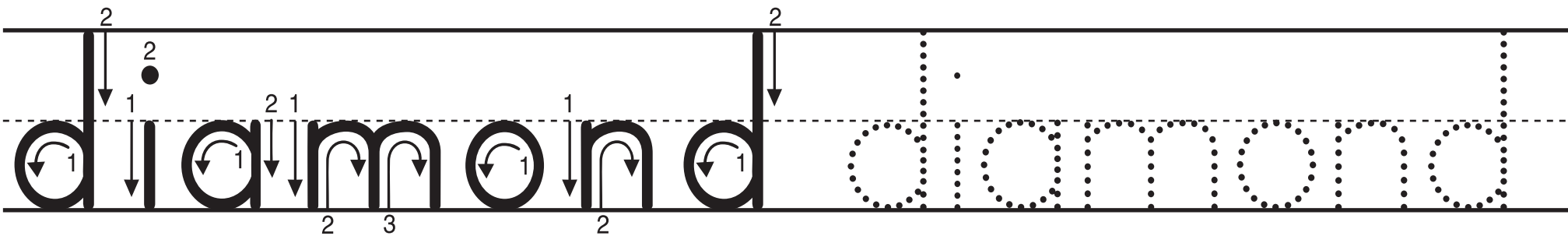





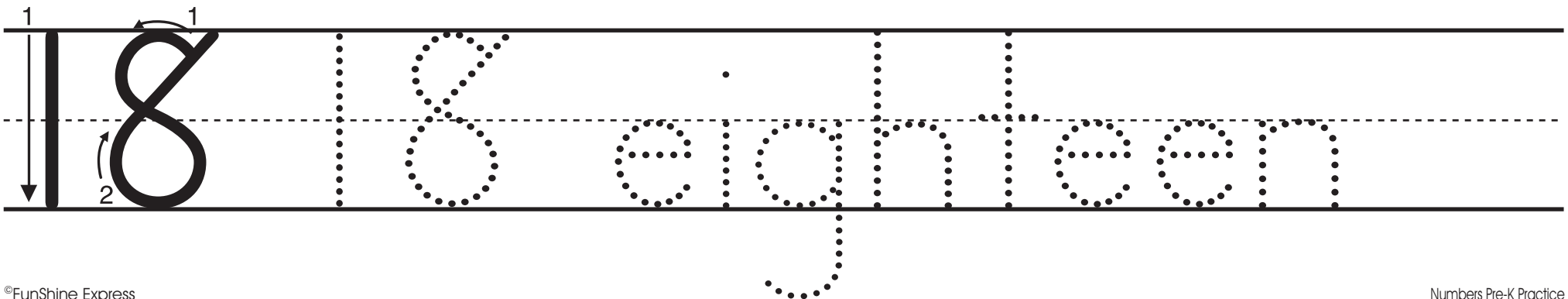
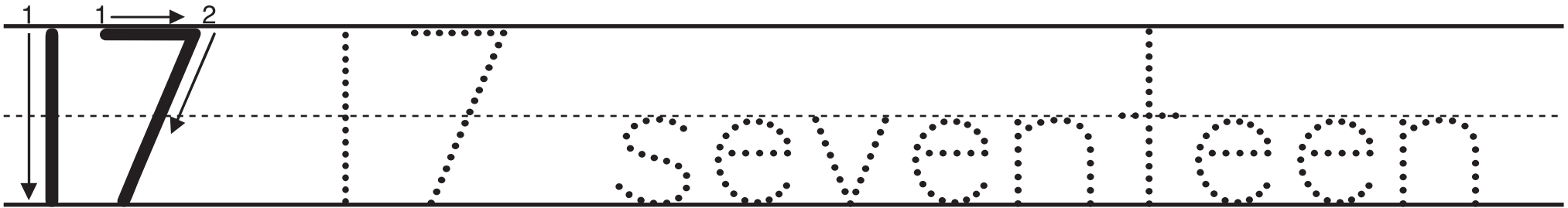
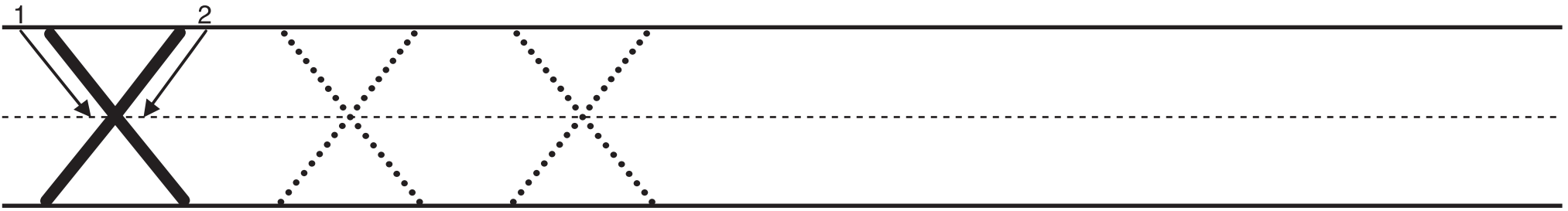
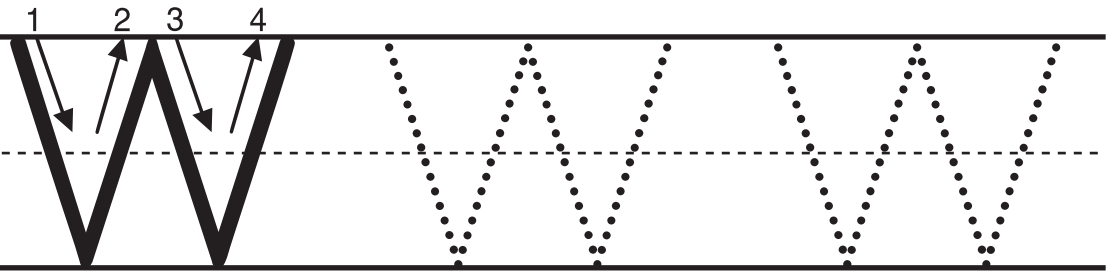
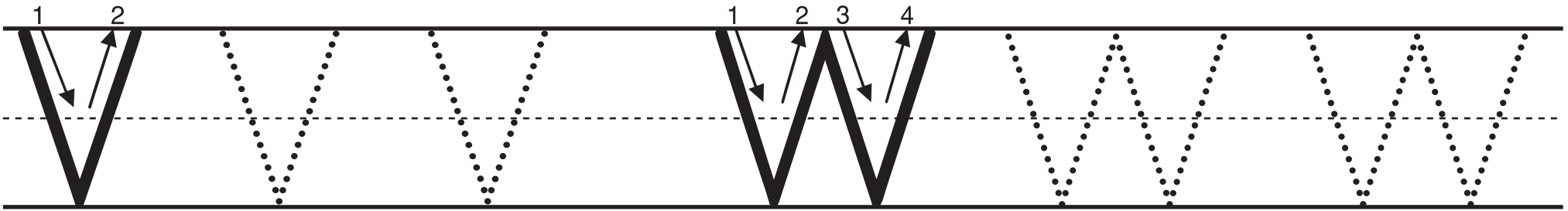
©FunShine Express Word Family Pre-K Practice

©FunShine Express Sight Word Pre-K Practice



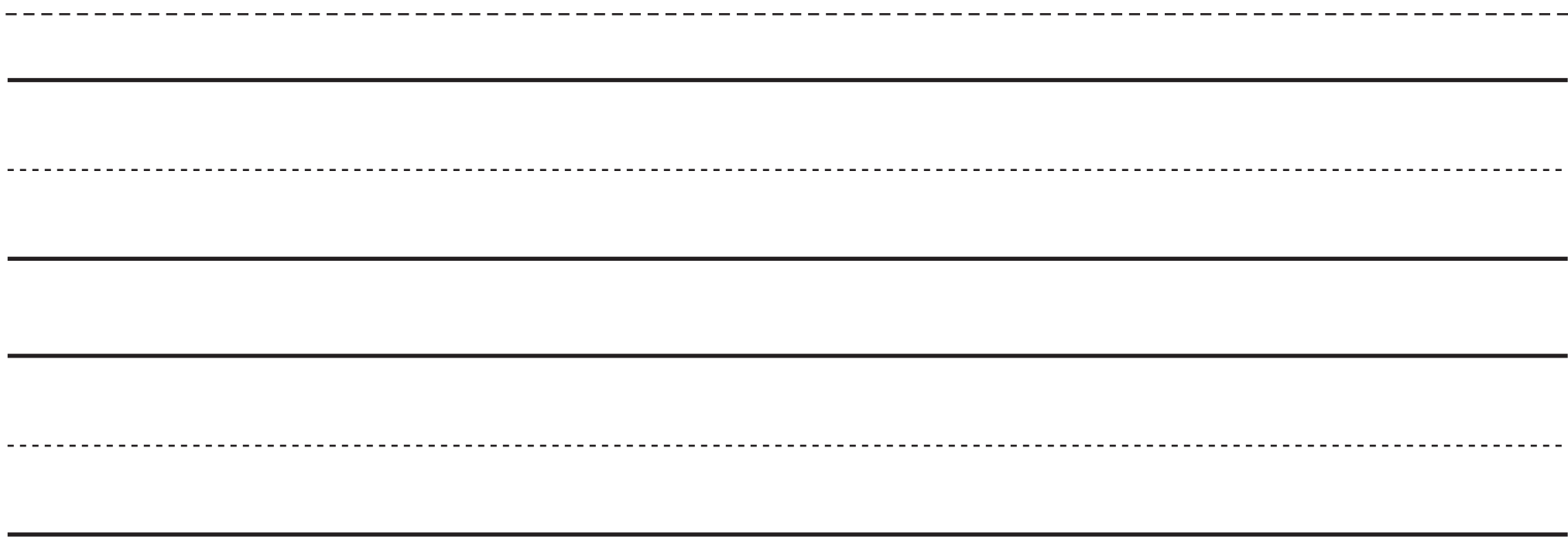
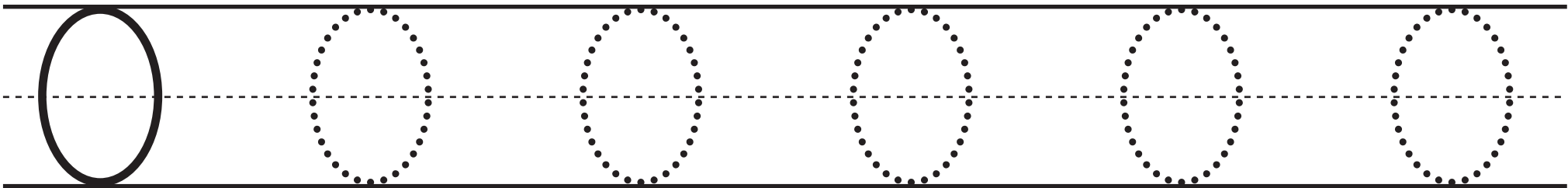
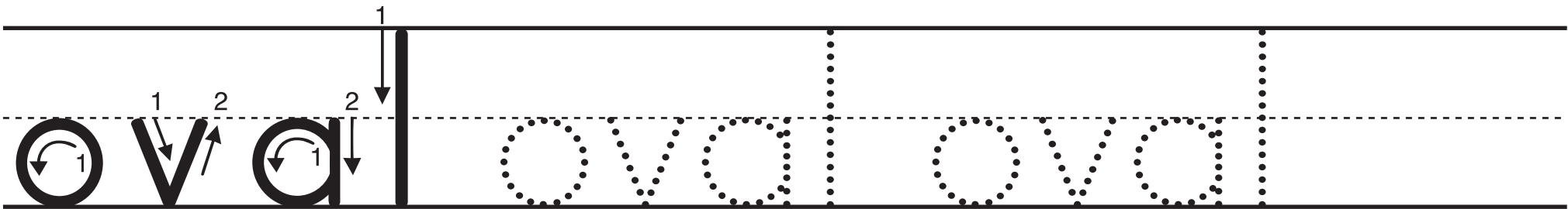


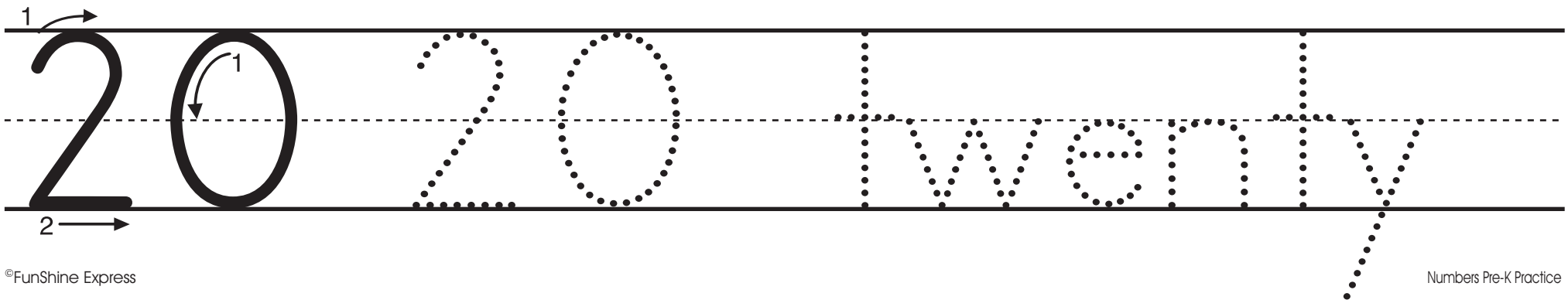
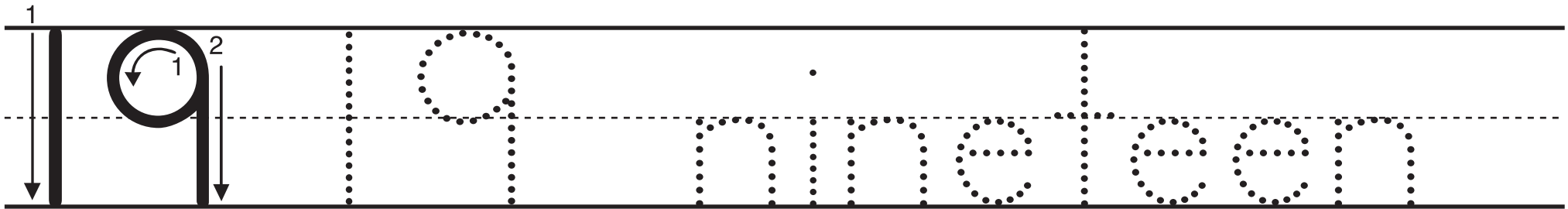
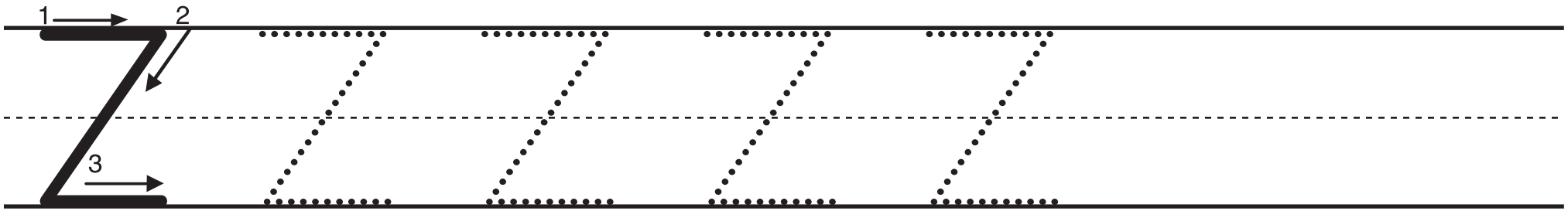
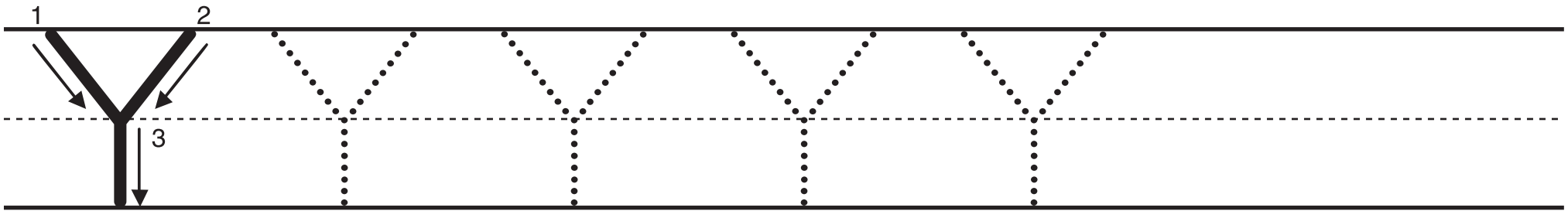
ig pig wig

dig twig

we we we

what what





Handwriting practice row for the word "vet". It features a solid lowercase 'e' with stroke order arrows (1: horizontal right, 2: counter-clockwise curve) and a solid lowercase 't' with stroke order arrows (1: vertical down, 2: horizontal right). The word "vet" is written in dotted lines for tracing. To the right of the word is a line drawing of a veterinarian in a white coat and cap holding a clipboard, standing next to a small dog. Further right is a line drawing of a fishing net.

Handwriting practice row for the word "pet". It features a solid lowercase 'e' with stroke order arrows (1: horizontal right, 2: counter-clockwise curve) and a solid lowercase 't' with stroke order arrows (1: vertical down, 2: horizontal right). The word "pet" is written in dotted lines for tracing. To the right of the word is a line drawing of an airplane. Further right is a line drawing of a cat sitting in a bowl and a dog sitting next to it.

©FunShine Express

Word Family Pre-K Practice

Handwriting practice row for the word "my". It features a solid lowercase 'm' with stroke order arrows (1: vertical down, 2: first hump, 3: second hump) and a solid lowercase 'y' with stroke order arrows (1: vertical down, 2: diagonal down-right). The word "my" is repeated three times in dotted lines for tracing.

Handwriting practice row for the word "yes". It features a solid lowercase 'y' with stroke order arrows (1: vertical down, 2: diagonal down-right), a solid lowercase 'e' with stroke order arrows (1: horizontal right, 2: counter-clockwise curve), and a solid lowercase 's' with stroke order arrow (1: counter-clockwise curve). The word "yes" is repeated three times in dotted lines for tracing.

©FunShine Express

Sight Word Pre-K Practice

s q u a r e

square

